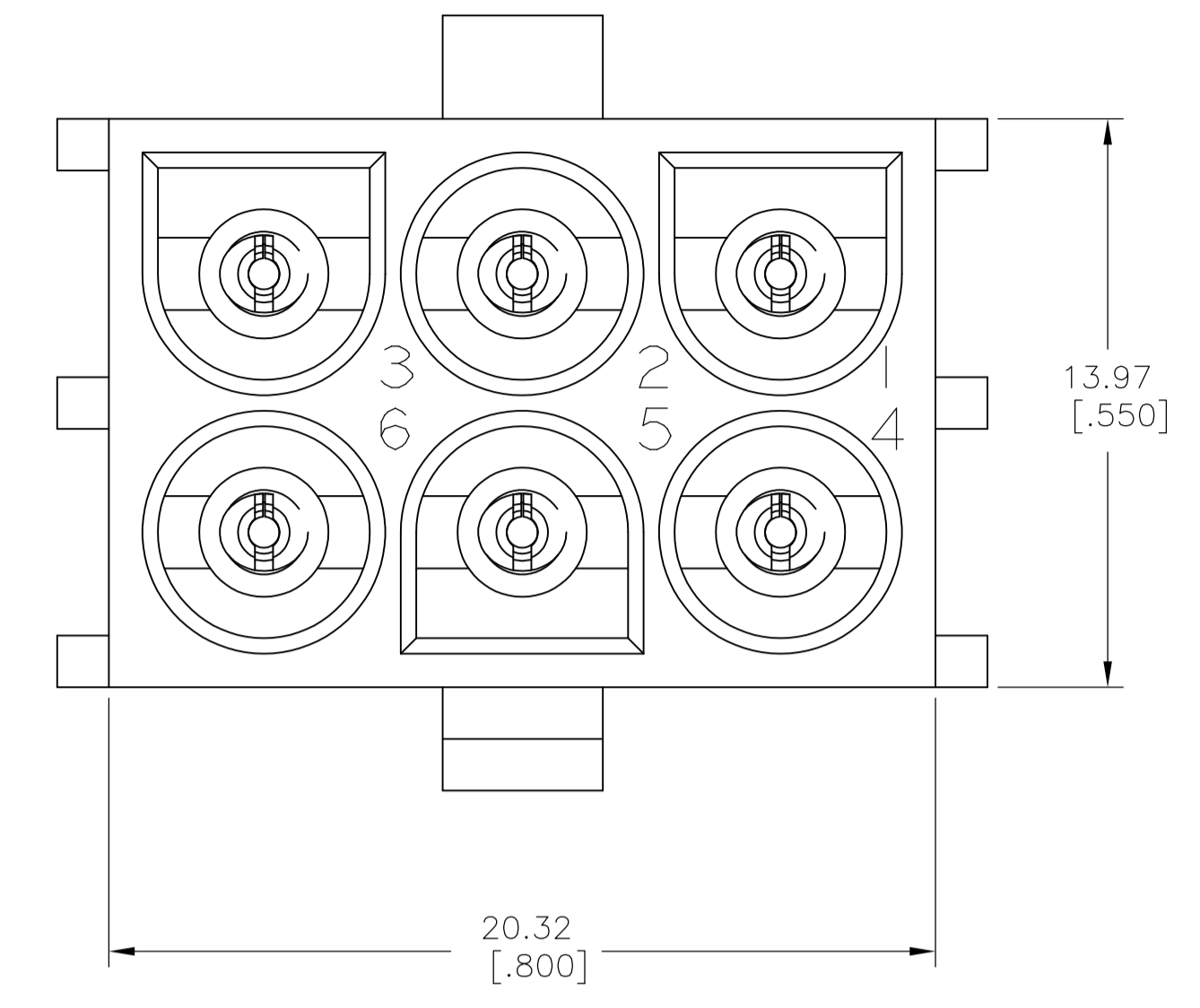
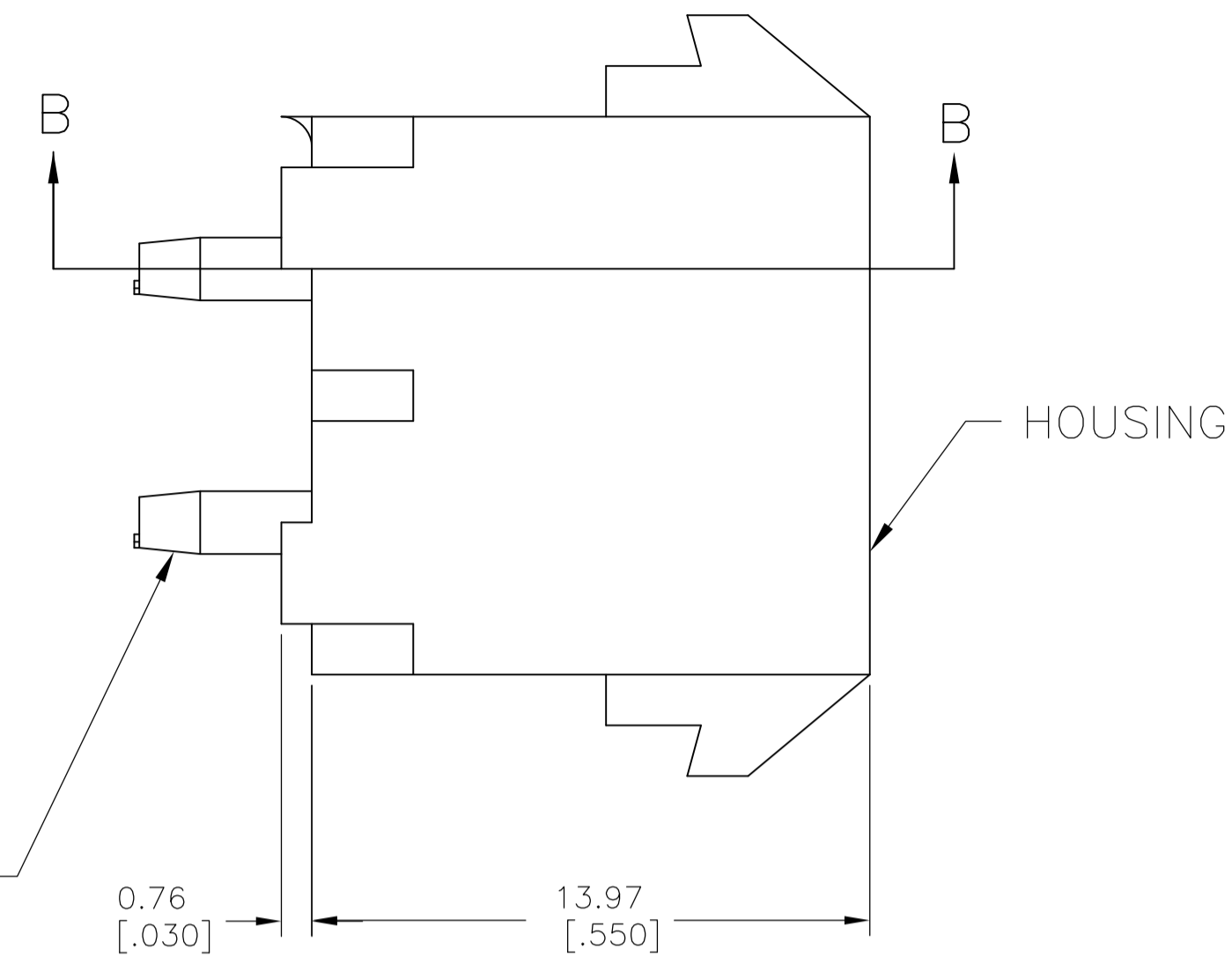
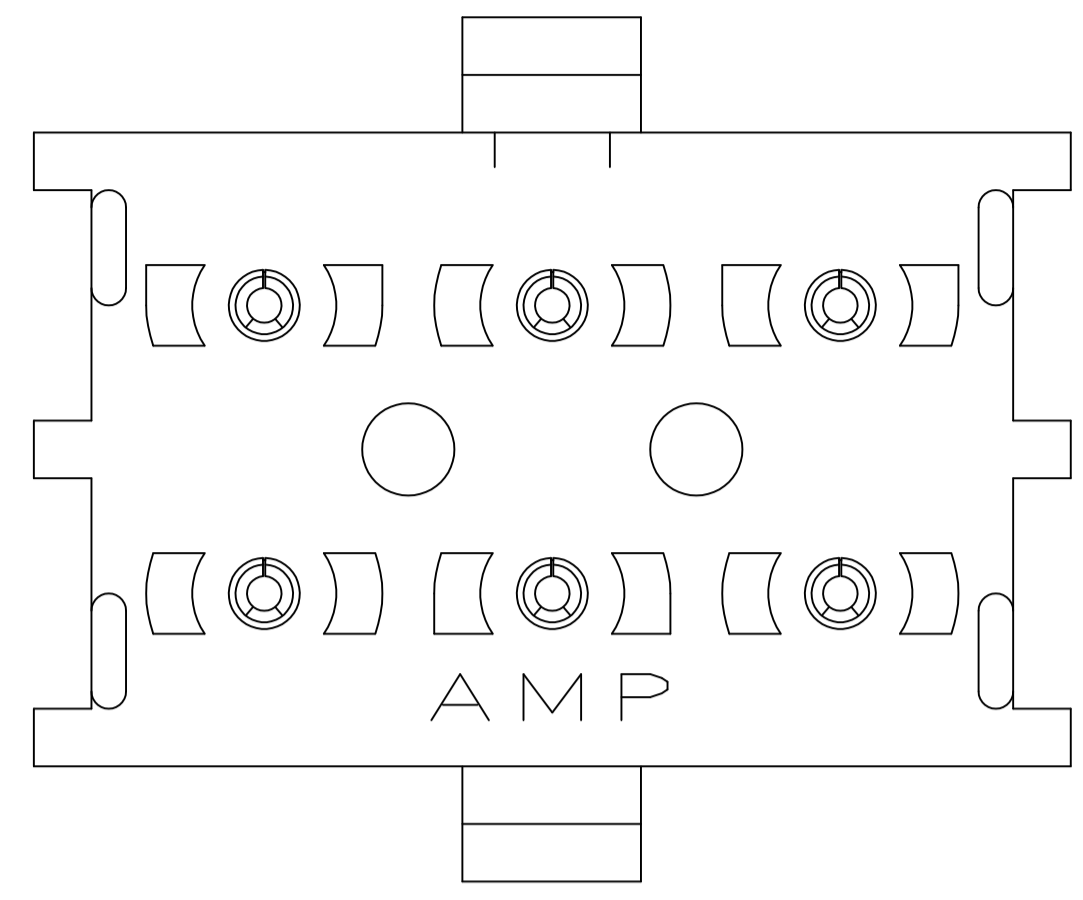
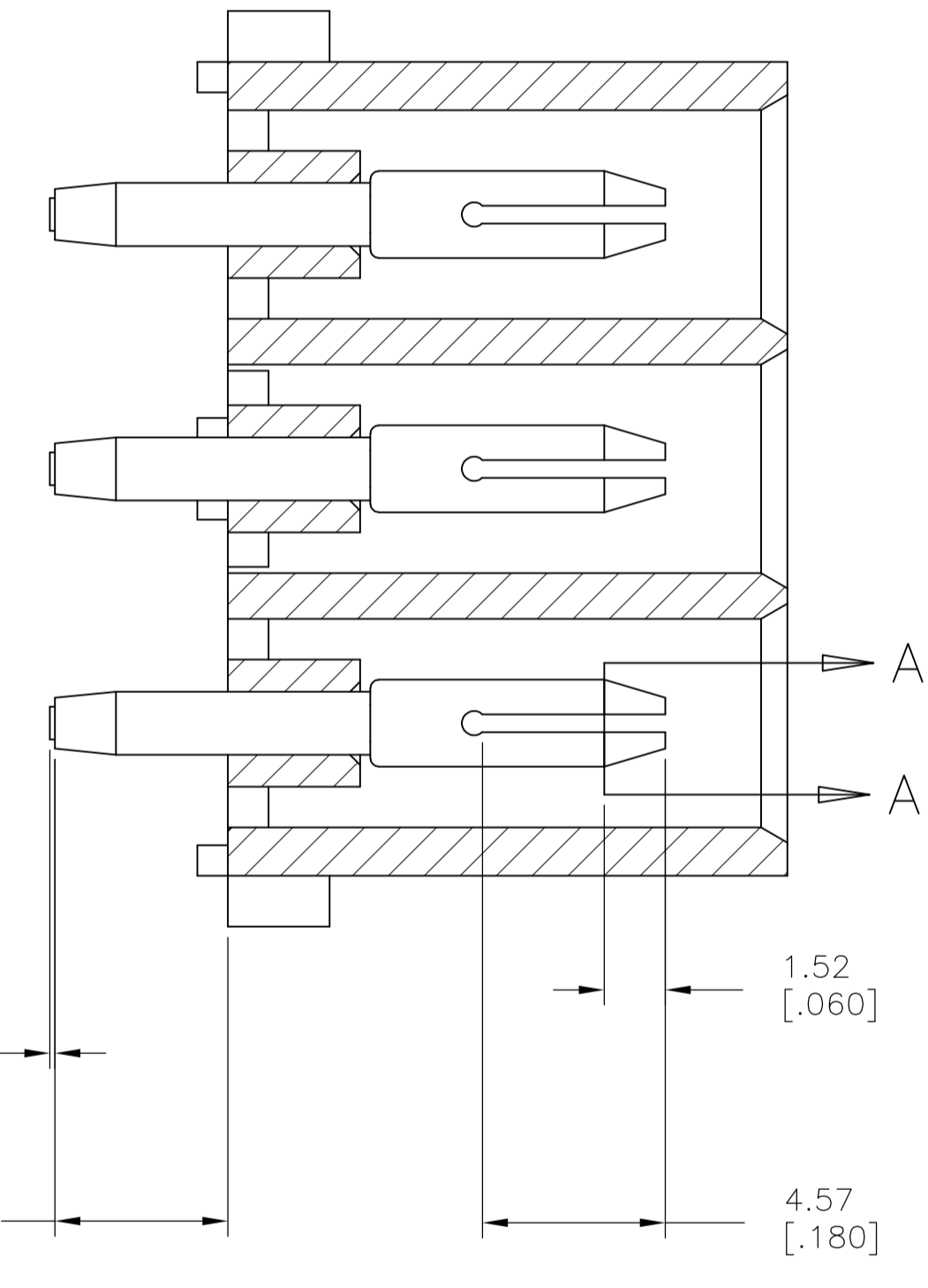


LOC		DIST		REVISIONS			
CM	00	REV	PER	DESCRIPTION	DATE	DMN	APVD
B		REV	PER	ECR 10-018921	14SEPT10	JR	TM

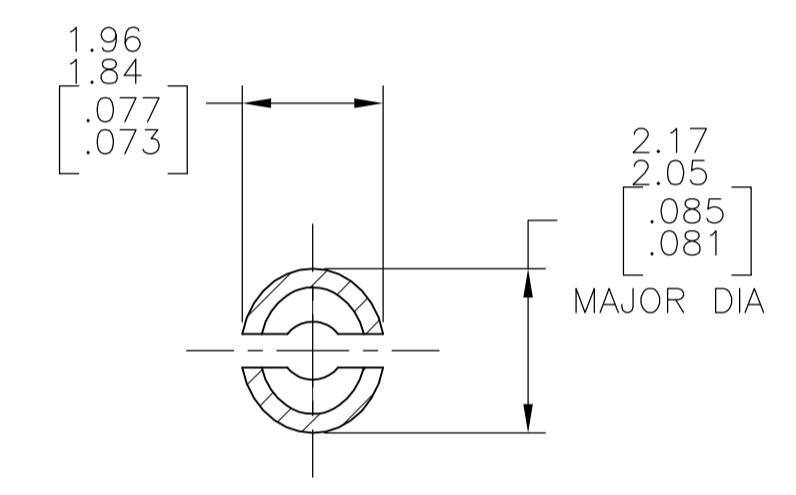


- 1 PARTS MATE WITH HOUSING 1586846
- 2 PARTS COMPLY TO AMP SOLDERABILITY SPECIFICATION 109-11-3.
- 3 CIRCUIT IDENTIFICATION CHARACTERS ARE ADJACENT TO THE INDICATED CAVITIES, BUT LOCATION AND ORIENTATION MAY DIFFER FROM PRINT.
- 4 FLAMMABILITY V2 FOR THICKNESS 0.38mm, 1.5mm, and 3.0mm PER IEC 60695-11-10.
- 5 GLOW-WIRE FLAMMABILITY (GWFI) 800°C FOR THICKNESS 0.38mm AND 0.75mm PER IEC 60695-2-12.
- 6 GLOW-WIRE FLAMMABILITY (GWFI) 960°C FOR THICKNESS 1.5mm AND 3.0mm PER IEC 60695-2-12.
- 7 GLOW-WIRE IGNITION (GWIT) 825°C FOR THICKNESS 0.38mm, 0.75mm, 1.5mm AND 3.0mm PER IEC 60695-2-13.

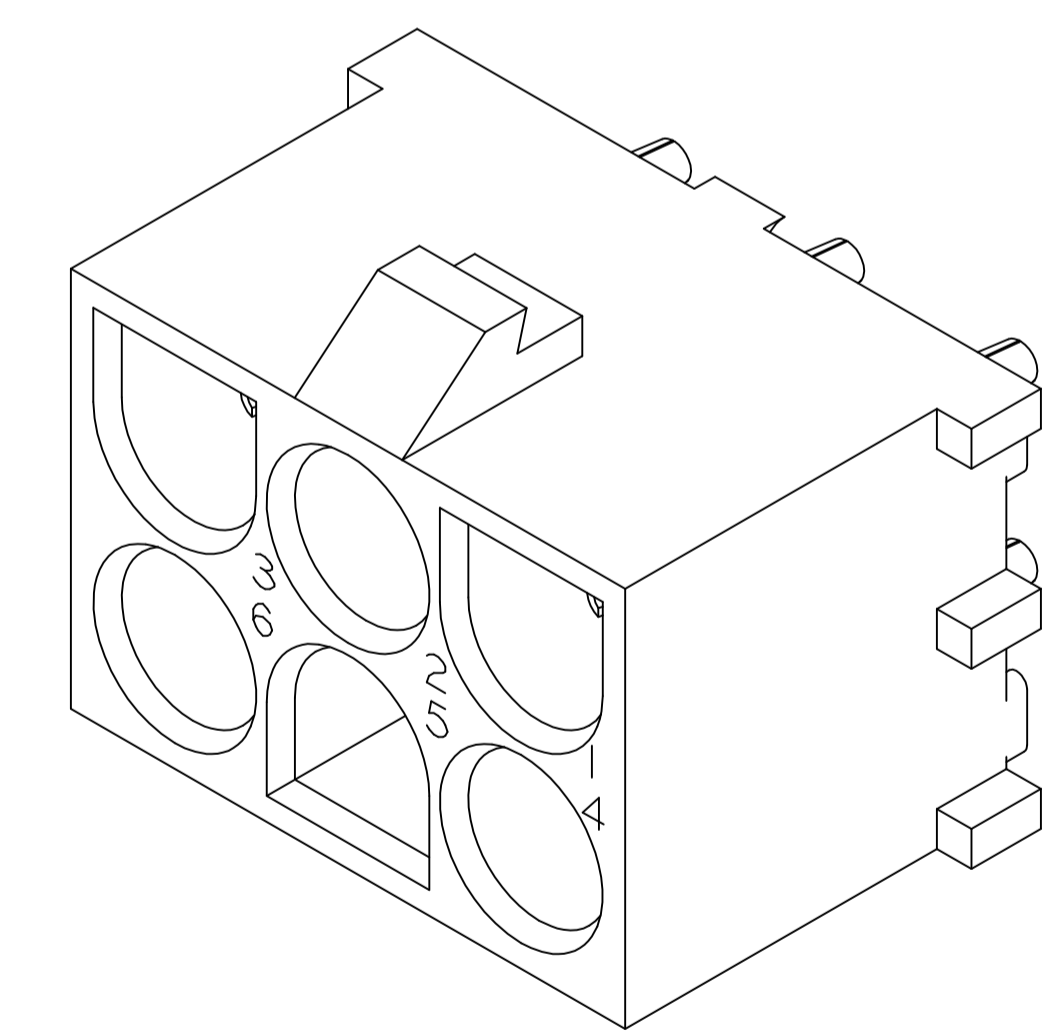
CONTACT 6 REQ'D



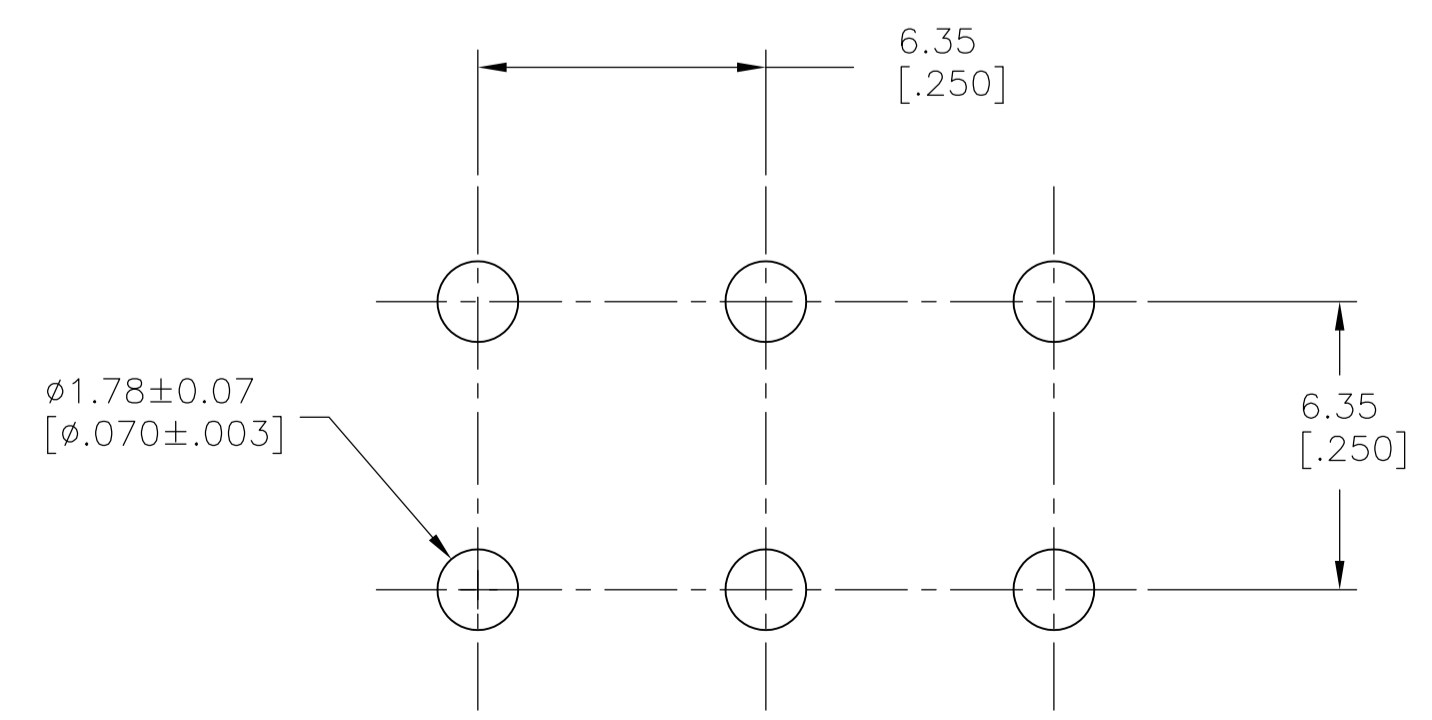
SECTION B-B



SECTION A-A  
SCALE 10:1



3 DIMENSIONAL MODEL  
SCALE 4:1



RECOMMENDED MOUNTING HOLE PATTERN  
FOR 1.57 [0.062] THICK P.C. BOARD

PHOSPOR BRONZE, PRE-TIN		NYLON, UL94V-2, NATURAL		1586979-1	
PIN CONTACT MATERIAL AND FINISH		HOUSING MATERIAL AND COLOR		PART NUMBER	
THIS DRAWING IS A CONTROLLED DOCUMENT.		DIN RAGHAVENDRA 17APR09		Tyco Electronics Corporation	
DIMENSIONS: mm [INCHES]		CHK SARVER MICHAEL 17APR09		Harrisburg, PA 17105-3608	
TOLERANCES UNLESS OTHERWISE SPECIFIED:		APVD SARVER MICHAEL 17APR09		NAME	
0 PLC ± -		PRODUCT SPEC		PIN HEADER ASSEMBLY, 6 CIRCUIT, UNIVERSAL MATE-N-LOK	
1 PLC ± -		APPLICATION SPEC		SIZE CAGE CODE DRAWING NO	
2 PLC ± 0.13 [0.005]		WEIGHT		A1 00779 C=1586979	
3 PLC ± -		CUSTOMER DRAWING		SCALE 5:1 SHEET 1 OF 1 REV B	
4 PLC ± -		RESTRICTED TO			
ANGLES ± 0° 30'					
MATERIAL SEE TABLE		FINISH SEE TABLE			

METRIC